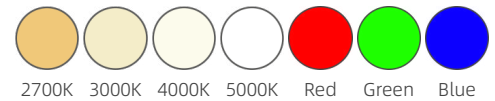
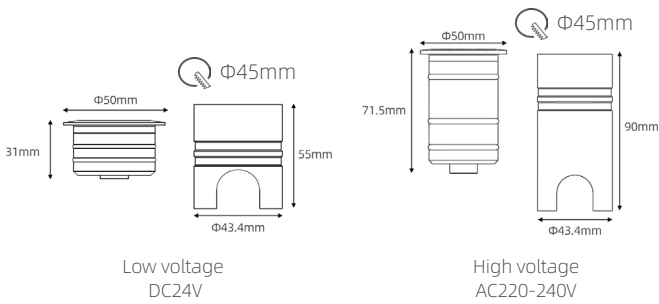


# Spec guide



- The light source is Bridgelux/LUMILEDS chip.
- Stainless steel 316L cover & cord grip with passivation process, suitable for projects close to sea.
- The aluminum lamp housing with CNC process and AkzoNobel coating of double-layer spraying, suitable for projects close to sea.
- The illumination is uniform.
- Suitable for facade, landscape and other places.



| Item No. | Power         | Beam Angle | Input Voltage       |
|----------|---------------|------------|---------------------|
| VIVA-F2  | 0.45W<br>1.6W | 120°       | DC24V<br>AC220-240V |

| Colour temperature                                       | IP - IK protection rating | Dimmable                      | Accessories  |
|--|---------------------------|-------------------------------|--|
| 2700K<br>3000K<br>4000K<br>5000K<br>Red<br>Green<br>Blue | IP67<br>IK07              | Triac<br>PWM<br>0~10V<br>DALI | <br>Aluminum<br>Recessed Sleeve |

**Remark:**  
2\*0.5 rubber wire, 1 meter length, includes 4 cm length open wire with wire ferrule