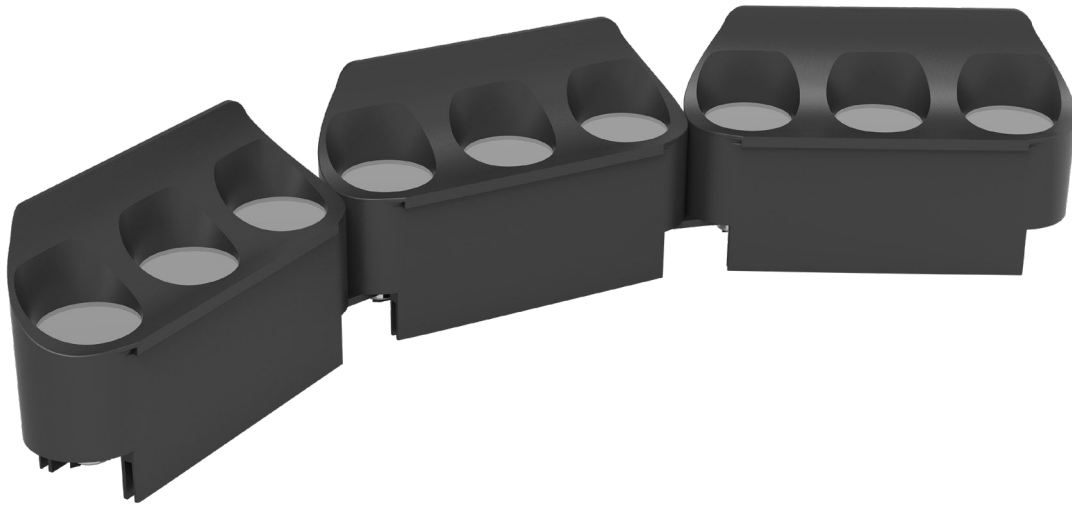


Product Details



CL006 Flexible Linear Light



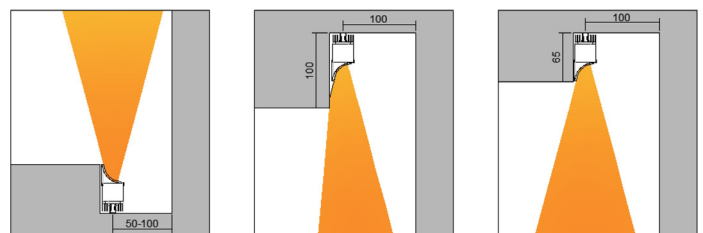
Philips chips, CRI 90
Lens 10° / 20° / 30° / 15° x50°



Sturdy mounting bracket, easy to adjust
installation angles



Anti-glare shield accessory

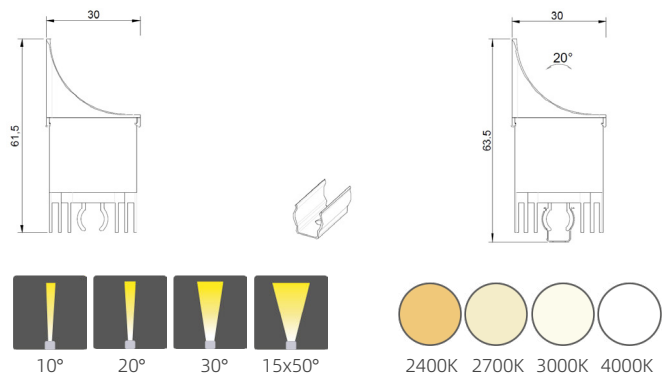
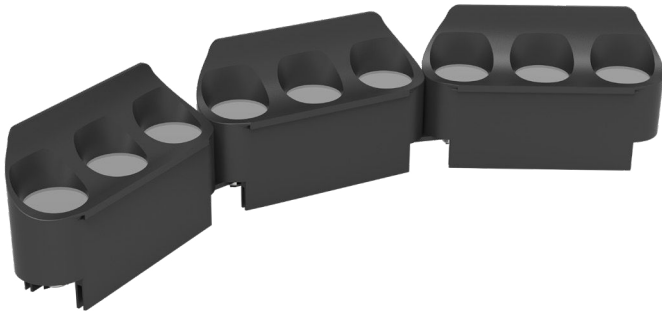


Due to small cross section design, our linear ceiling surface-mounted luminaires offer significant advantages, ensuring seamless integration without obstructing HVAC systems and other ceiling utilities.

Spec guide

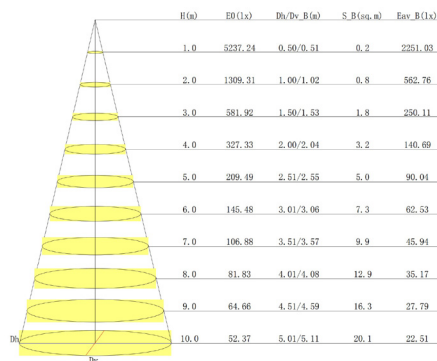
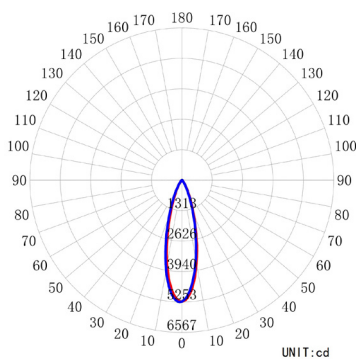


- Anti-glare design
- Flexible & bendable design
- Effective wall washing
- Philips LED chips, CRI 90
- Indoor and outdoor applications, IP65 optional



Item No.	Power	Length	Beam Angle	Lumen	Input Voltage
CL006	50W/M	L=200mm L=300mm L=500mm L=1000mm	10° 20° 30° 15x50°	85lm/W	DC24V

Light distribution curve



Colour temperature - CRI	IP protection rating	Dimmable	Accessories
2400K - CRI > 90 2700K - CRI > 90 3000K - CRI > 90 4000K - CRI > 90	IP20 IP65	Triac PWM 0~10V DALI	