

Product Details

CL004 Flexible Linear Light



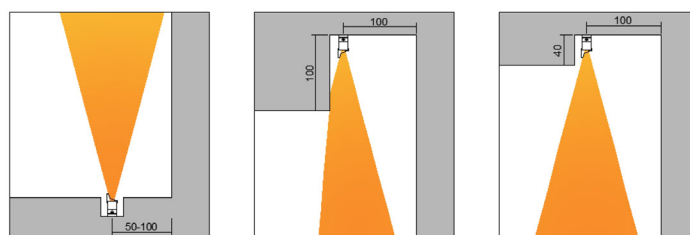
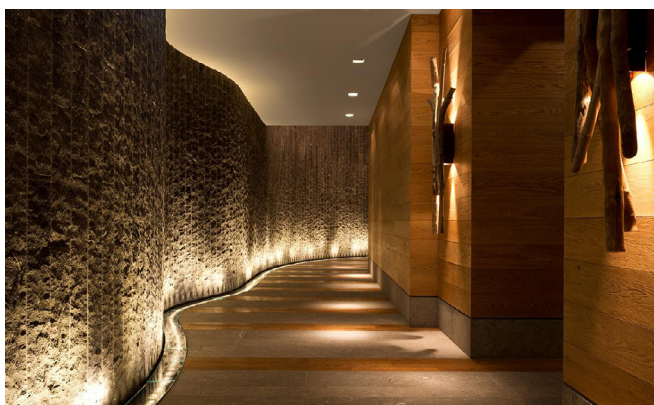
Philips chips, CRI 90
Lens 10° / 25° / 25° x50°
Anti-glare shield



Magnets inside both ends for easy alignment



Quick plug-together design for easy custom lengths

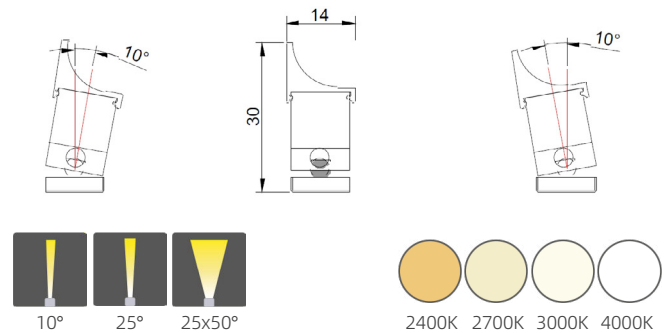


Due to small cross section design, our linear ceiling surface-mounted luminaires offer significant advantages, ensuring seamless integration without obstructing HVAC systems and other ceiling utilities.

Spec guide

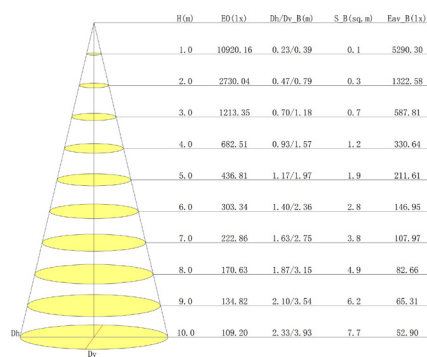
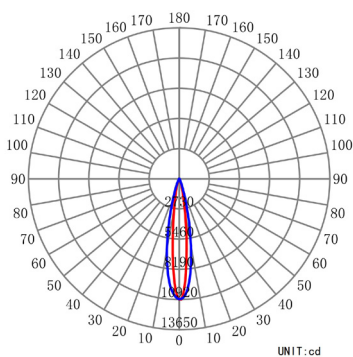


- Ideal for wall washing in narrow spaces
- Anti-glare design
- Flexible & bendable design
- Philips LED chips, CRI 90
- Indoor and outdoor applications, IP65 optional



Item No.	Power	Length	Beam Angle	Lumen	Input Voltage
CL004	30W/M	L=100mm L=200mm L=300mm L=600mm L=1000mm	10° 25° 25x50°	100 lm/W	DC12V

Light distribution curve



Colour temperature - CRI IP protection rating Dimmable Accessories

2400K - CRI > 90
2700K - CRI > 90
3000K - CRI > 90
4000K - CRI > 90

IP20
IP65

Triac
PWM
0~10V
DALI