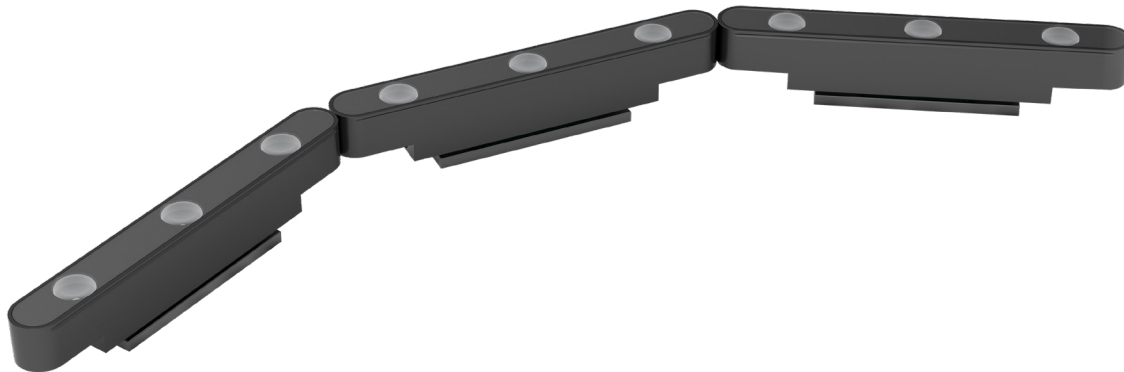


Product Details

CL003 Flexible Linear Light



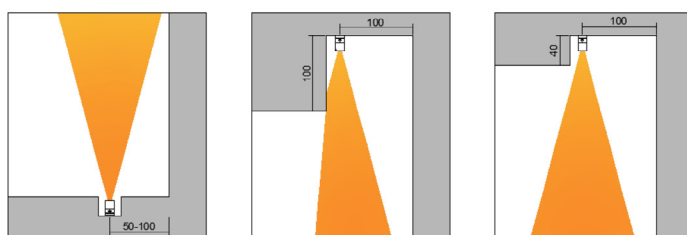
Philips chips, CRI 90
Lens 10° / 25° / 25° x50°



Magnets inside both ends for easy alignment

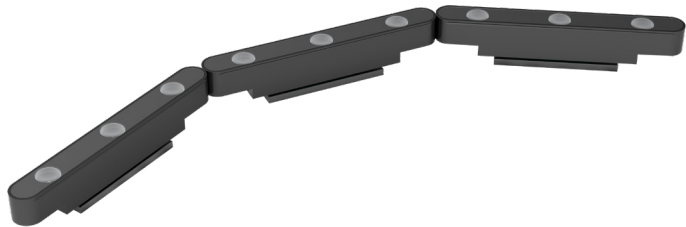


Quick plug-together design for easy custom lengths

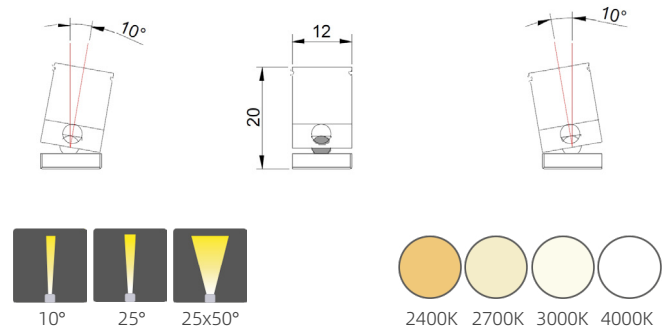


Due to small cross section design, our linear ceiling surface-mounted luminaires offer significant advantages, ensuring seamless integration without obstructing HVAC systems and other ceiling utilities.

Spec guide

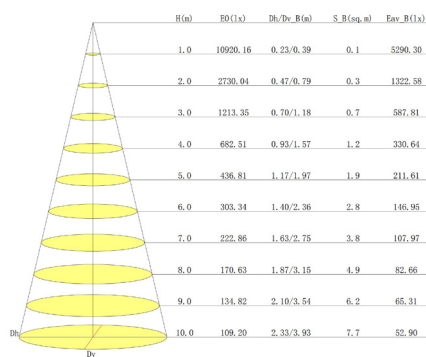
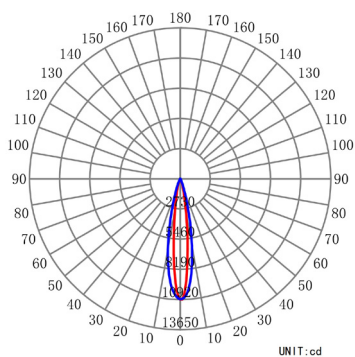


- Tiny size for narrow spaces
- Flexible & bendable design
- Effective wall washing
- Philips LED chips, CRI 90
- Indoor and outdoor applications, IP65 optional



Item No.	Power	Length	Beam Angle	Lumen	Input Voltage
CL003	30W/M	L=100mm L=200mm L=300mm L=600mm L=1000mm	10° 25° 25x50°	100 lm/W	DC12V

Light distribution curve



Colour temperature - CRI IP protection rating Dimmable Accessories

2400K - CRI > 90
2700K - CRI > 90
3000K - CRI > 90
4000K - CRI > 90

IP20
IP65

Triac
PWM
0~10V
DALI